

iSEE™ 187BIN

Easy-load beverage bin for cooler doors designed for **187ml wine bottle 4-packs** or **individual bottles**.

Features & Benefits

- Displayloc™ strength means secure hold for glass wine bottles.
- Designed to fit 4 standard 4-pack 187 ml secondary packaging.
- Merchandises 4-pack multi-packs or 12 bottles for singles sales.

Expand, Organize and Customize Your Door Merchandising Capabilities.

New for 2017!



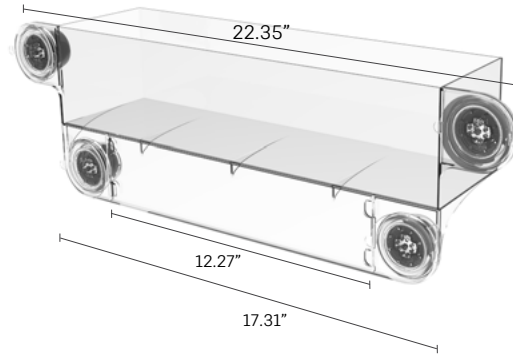
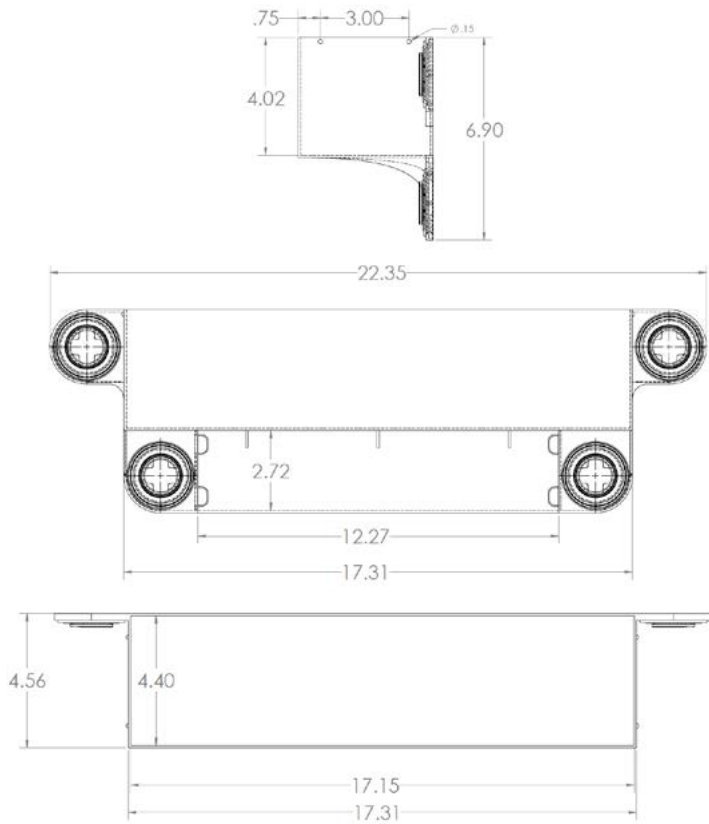
Order online at
iseeinnovation.com

Questions? We have answers.
(888) 417-2457
info@iseeinnovation.com

Stay Connected.
iseeinnovation.com

Patent Pending.
All of iSEE's innovations
are Patent Pending.

iSEE™
STORE INNOVATIONS



iSEE 187 Bin™ Specifications

- 22.35" L x 4.56" D x 6.9" H
- Wall thickness 0.08"
- Material PC water clear finish
- Utilizes 4 Displayloc cups



iSEE 187 Bin™ Signage & Branding

- Easy signage capabilities
- Delivers pre-printed with brand graphics



Expand, Organize and Customize
Your Door Merchandising Capabilities.

New for 2017!

iSEE™
187BIN

Questions? We have answers.
(888) 417-2457
info@iseeinnovation.com



Order online at
iseeinnovation.com

Stay Connected.
iseeinnovation.com



Patent Pending.
All of iSEE's innovations
are Patent Pending.

iSEE™
STORE INNOVATIONS