



The **iSEE Sherpa™** holds signage, coupon tear pads, clip strips, bins, and custom point-of-purchase tools or signage.

iSEE Sherpa™ **Sign**

iSEE Sherpa™ **Tearpad Holder**

iSEE Sherpa™ **Clipstrip**

iSEE Sherpa™ **Bin**

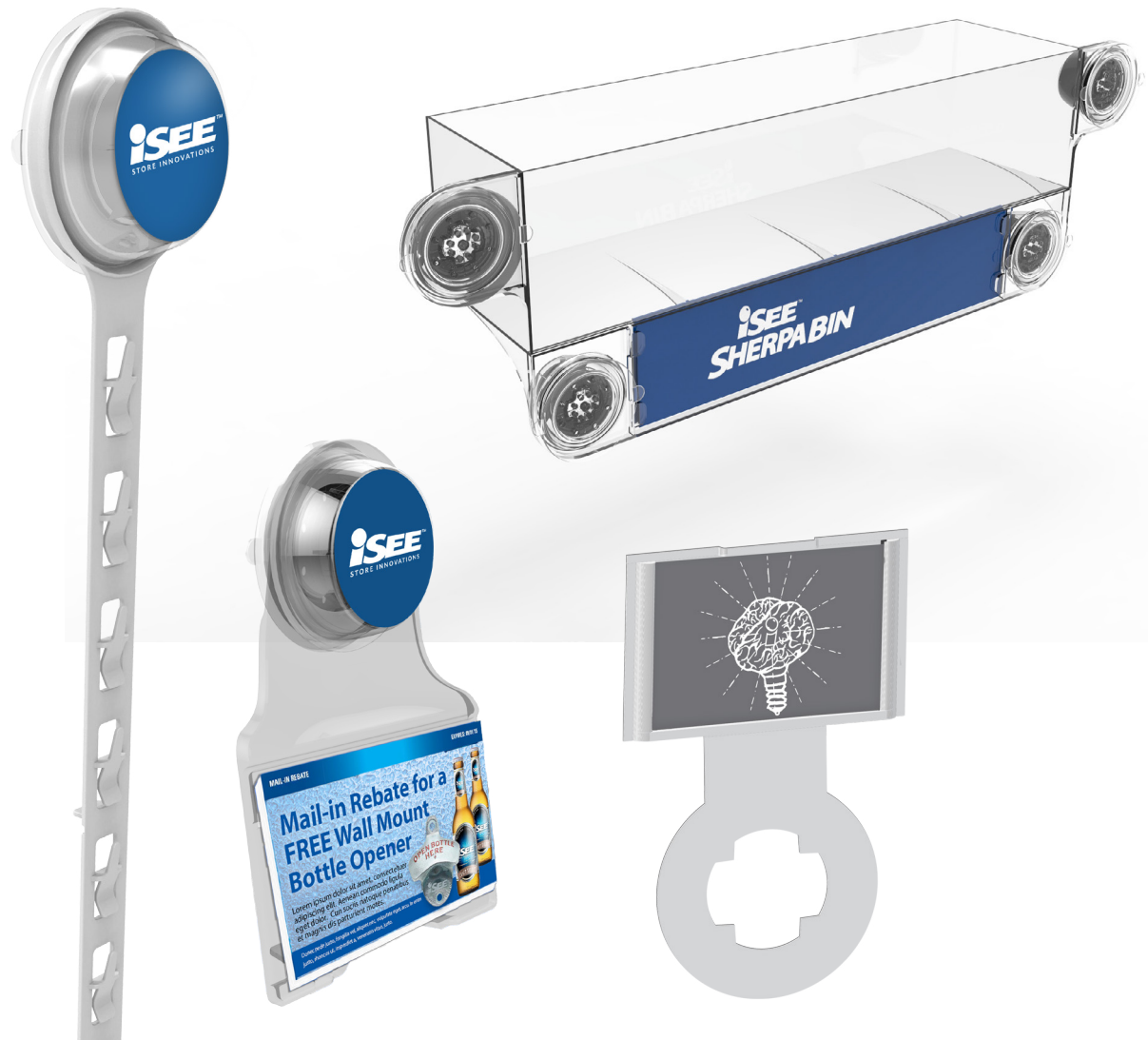
Features & Benefits

- Uses proprietary Displayloc™ technology, and is available with new Displayloc Tudra™ for freezer applications
- Ultra-reliable design does not fail
- Custom artwork & signage design available; Die-cut to any shape



Order online at
iseeinnovation.com

The Displayloc™ Accessory System Designed to Carry Nearly Anything.

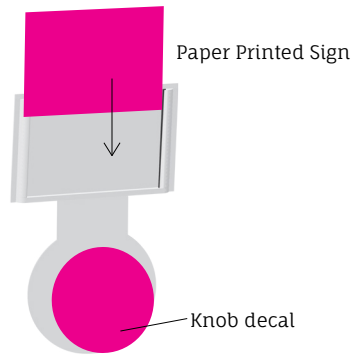


Questions? We have answers.
(888) 417-2457
info@iseeinnovation.com

Stay Connected.
iseeinnovation.com

Patent Pending.
All of iSEE's innovations
are Patent Pending.





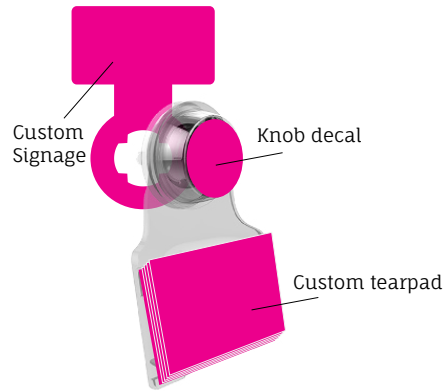
iSEE Sherpa™ Sign

Specifications of Sign

- Injected-molded rigid plastic sign holder
- 1.8 mm (.071 in.) thick ABS plastic
- 3.75" x 2.125" size of signage slot

Signage & Branding

- Paper sign slides down into holder
- Channel slots hold sign in place
- Clear, or spec'd to match color



iSEE Sherpa™ Tearpad Holder

Specifications of Tearpad Holder

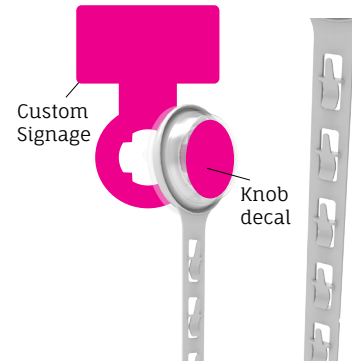
- Holds 5" x 3" tearpads
- Approx. Dimensions: 5.19" x 1.5" x 7.56"

Signage & Branding

- Holds custom signage
- Decals available for knob

Additional Info

- Eliminates sticky mess caused by double-stick tape



iSEE Sherpa™ Clipstrip

Specifications of Clipstrip

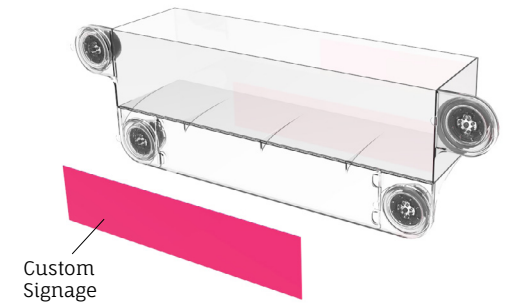
- Flexible and adjustable product hanger
- Approx. Dimensions: 3.20" x 1.25" x 24.69"

Signage & Branding

- Holds custom signage
- Decals available for knob

Additional Info

- Use in conjunction with the iSEE K2™



iSEE Sherpa™ Bin

Specifications of Bins

- 22.35" L x 4.56" D x 6.9" H
- Wall thickness 0.08"
- Material PC water clear finish
- Utilizes 4 Displayloc cups

Signage & Branding

- Holds custom signage
- Decals available for knob



The **Displayloc™ Accessory System** designed to carry nearly anything on glass-smooth surfaces.

iSEE™
SHERPA

Questions? We have answers.

(888) 417-2457

info@iseeinnovation.com



Order online at
iseeinnovation.com

Stay Connected.
iseeinnovation.com



Patent Pending.
All of iSEE's innovations
are Patent Pending.

iSEE™
STORE INNOVATIONS